

YB132 series Brushless DC motor

5.5-15KW

Description

Large starting torque, small starting current
 Better speed versus torque characteristics
 High dynamic response
 High efficiency
 Long operating life, maintenance-free
 Noiseless operation
 Higher speed ranges



主要性能参数

Type	Voltage (VDC)	Power (KW)	Speed (r/min)	Current (A)	Torque (N. m)	Weight (KG)	Cooling
YB132B3/5-48V6.3-1500	48	6.3	1500	144	40		Fan
YB132B3/5-72V6.3-1500	72	6.3	1500	96	40		
YB132B3/5-72V9.0-1500	72	9.0	1500	138	57		
YB132B3/5-96V6.3-1500	96	6.3	1500	72	40		
YB132B3/5-96V9.0-1500	96	9.0	1500	103	57		
YB132B3/5-96V10.0-3000	96	10	3000	115	32		
YB132B3/5-110V5.5-1500	110	5.5	1500	55	35		
YB132B3/5-110V7.5-1200	110	7.5	1500	75	48		
YB132B3/5-120V11-3000	120	11	3000	101	35		
YB132B3/5-120V15-3200	120	15	3200	138	45		
Overload	Short time power overload 1.5times, Torque overlad 3times						
Ambient	Altitude above sea level maximal 4000m						
Above are our standard type. we accept custom made							

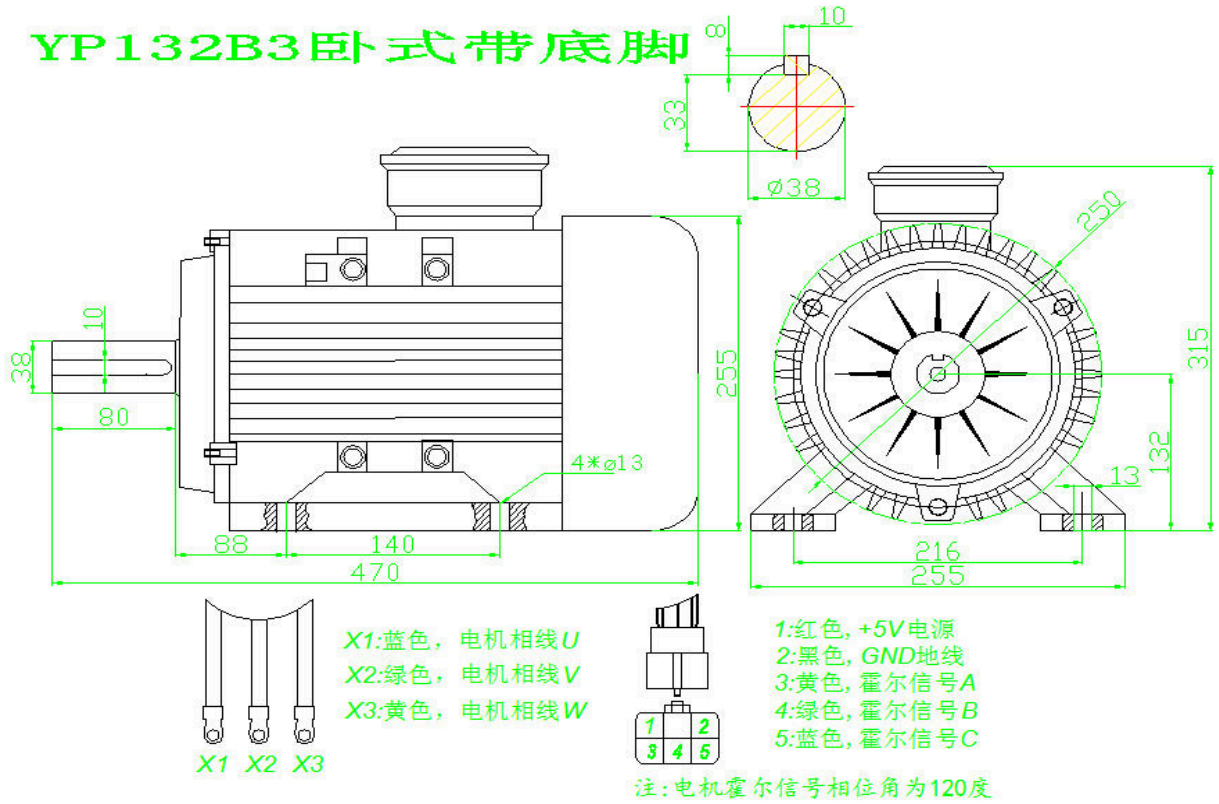
YP 132 B3-48V 4.0-1500

① ② ③ ④ ⑤ ⑥

1. Type of BIOTE company brushless dc motor
2. Motor frame. center height. 132 means 132mm
3. Motor install type: B3 Foot Mounted, B5 flange mounted, B35 foot with flange mounted
4. Rated votlage: V
5. Rated power: KW. 4.0 means 4.0kw
6. Rated speed: r/min. 1500 means 1500r/min

外形尺寸及引线定义

YP132B3卧式带底脚



YP132B5立式法兰

