

YB100 series Brushless DC motor

Description

Large starting torque, small starting current
 Better speed versus torque characteristics
 High dynamic response
 High efficiency
 Long operating life, maintenance-free
 Noiseless operation
 Higher speed ranges



Parameter

Type	Voltage (VDC)	Power (KW)	Speed (r/min)	Current (A)	Torque (N. m)	Weight (KG)	Cooling
YB100B3/5-36V2.2-1500	36	2.2	1500	67	13.9		Fan
YB100B3/5-48V2.2-1500	48	2.2	1500	50	13.9		
YB100B3/5-48V3.0-1500	48	3.0	1500	69	19.0		
YB100B3/5-48V4.0-3200	48	4.0	3200	92	12.0		
YB100B3/5-48V4.0-2000	48	4.0	2000	92	19.0		
YB100B3/5-60V2.2-1500	60	2.2	1500	40	13.9		
YB100B3/5-60V3.0-1500	60	3.0	1500	55	19.0		
YB100B3/5-60V5.0-2800	60	5.0	2800	92	17.0		
YB100B3/5-72V5.0-3200	72	5.0	3200	76	14.8		
YB100B3/5-72V6.3-3200	72	6.3	3200	96	18.7		
YB100B3/5-96V3.0-3200	96	3.0	1500	34	19.0		
Overload	Short time power overload 1.5times, Torque overlad 3times						
Ambient	Altitude above sea level maximal 4000m						
Above are our standard type. we accept custom made							

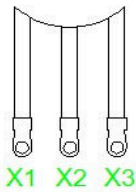
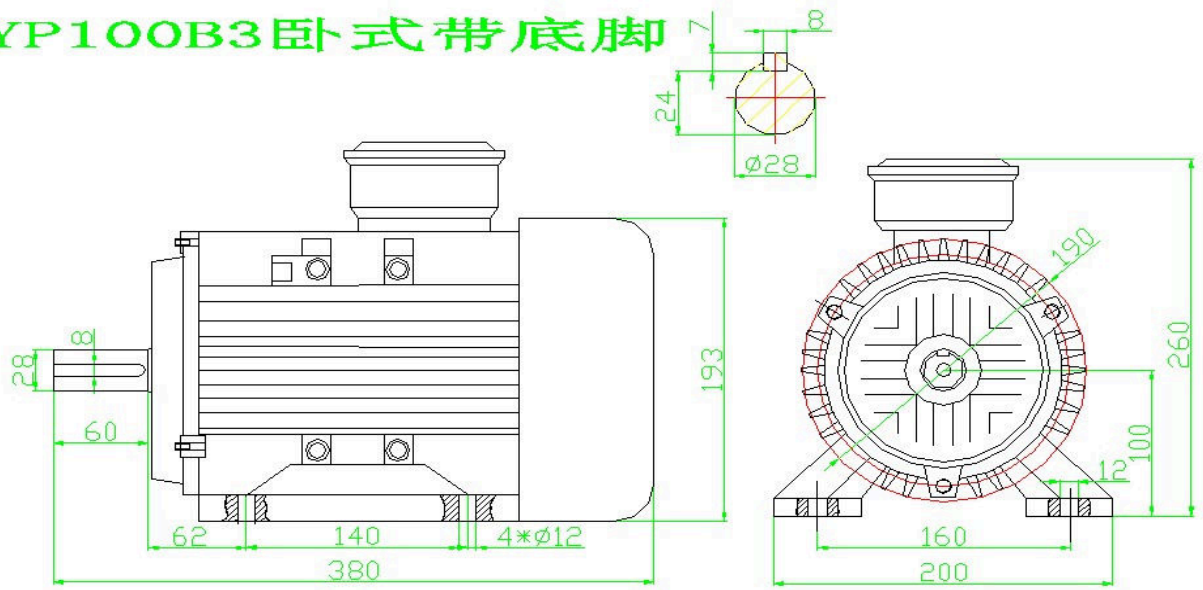
YP 100 B3-36V 2.2-1500

① ② ③ ④ ⑤ ⑥

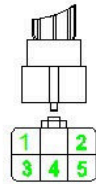
1. Type of BIOTE company brushless dc motor
2. Motor frame. center height. 100 means 100mm
3. Motor install type: B3 Foot Mounted, B5 flange mounted, B35 foot with flange mounted
4. Rated votlage: V 36 means 36vdc
5. Rated power: KW. 2.2 means 2.2kw
6. Rated speed: r/min. 1500 means 1500r/min

外形尺寸及引线定义

YP100B3卧式带底脚



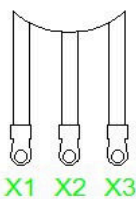
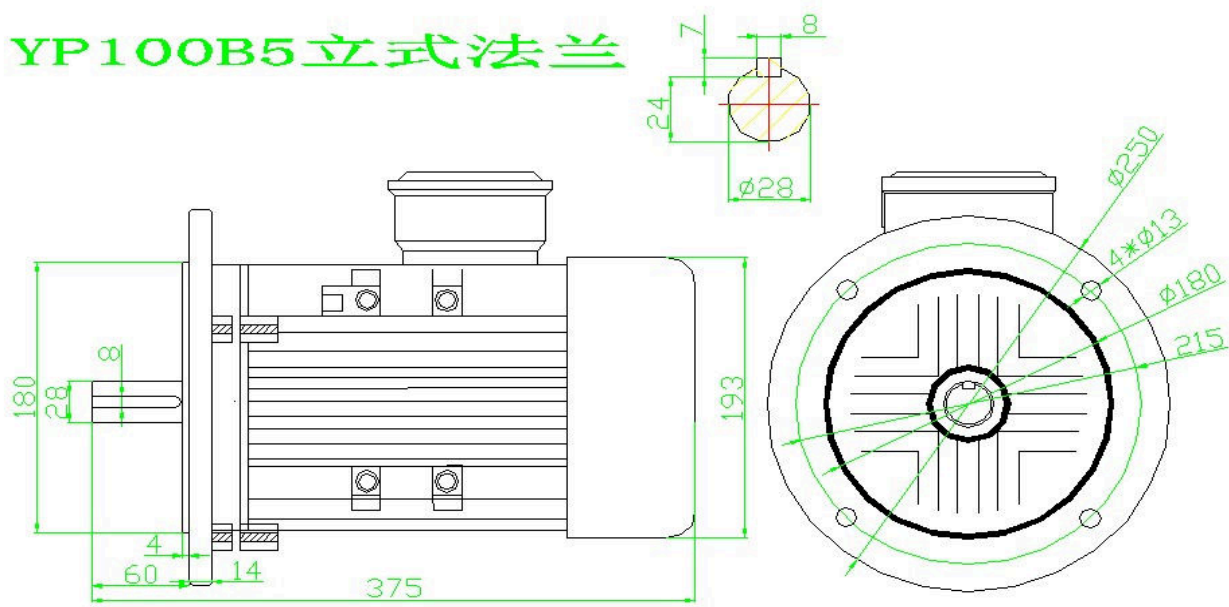
- X1:蓝色, 电机相线U
- X2:绿色, 电机相线V
- X3:黄色, 电机相线W



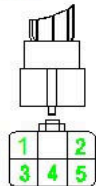
- 1:红色, +5V电源
- 2:黑色, GND地线
- 3:黄色, 霍尔信号A
- 4:绿色, 霍尔信号B
- 5:蓝色, 霍尔信号C

注:电机霍尔信号相位角为120度

YP100B5立式法兰



- X1:蓝色, 电机相线U
- X2:绿色, 电机相线V
- X3:黄色, 电机相线W



- 1:红色, +5V电源
- 2:黑色, GND地线
- 3:黄色, 霍尔信号A
- 4:绿色, 霍尔信号B
- 5:蓝色, 霍尔信号C

注:电机霍尔信号相位角为120度