

# YB80 series Brushless DC motor

0.55-2.2KW

## Description

Large starting torque, small starting current  
 Better speed versus torque characteristics  
 High dynamic response  
 High efficiency  
 Long operating life, maintenance-free  
 Noiseless operation  
 Higher speed ranges



## Parameter

Type	Voltage (VDC)	Power (KW)	Speed (r/min)	Current (A)	Torque (N.m)	Weight (KG)	Cooling
YB80B3/5-24V0.55-1200	24	0.55	1200	25	4.4	6.5	Fan
YB80B3/5-24V0.75-1500	24	0.75	1500	34	4.8	6.5	
YB80B3/5-24V1.1-1500	24	1.1	1500	50	7.0	8.0	
YB80B3/5-24V1.2-3000	24	1.2	3000	55	3.8	6.5	
YB80B3/5-24V1.5-2000	24	1.5	2000	69	7.1	8.0	
YB80B3/5-48V0.75-1500	48	0.75	1500	17	4.8	6.5	
YB80B3/5-48V1.1-1500	48	1.1	1500	25	7.0	8.0	
YB80B3/5-48V1.2-3000	48	1.2	3000	28	3.8	6.5	
YB80B3/5-48V2.2-3000	48	2.2	3000	50	7.0	8.0	
Overload	Short time power overload 1.5times, Torque overlad 3times						
Ambient	Altitude above sea level maximal 4000m						
Above are our standard type. we accept custom made							

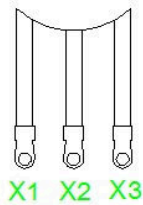
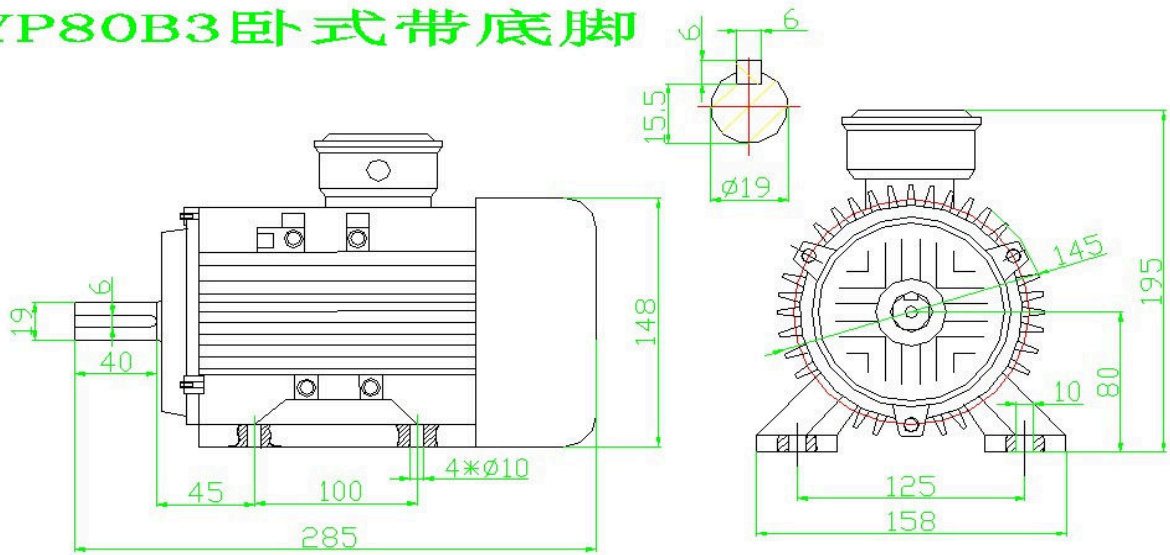
**YP 80 B3-24V 0.55-1500**

① ② ③ ④ ⑤ ⑥

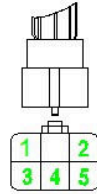
1. Type of BIOTE company brushless dc motor
2. Motor frame. center height. 80 means 80mm
3. Motor install type: B3 Foot Mounted, B5 flange mounted, B35 foot with flange mounted
4. Rated vottage: V 24 means 24vdc
5. Rated power: KW. 0.55 means 0.55kw
6. Rated speed: r/min. 1500 means 1500r/min

外形尺寸及引线定义

YP80B3卧式带底脚



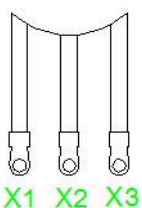
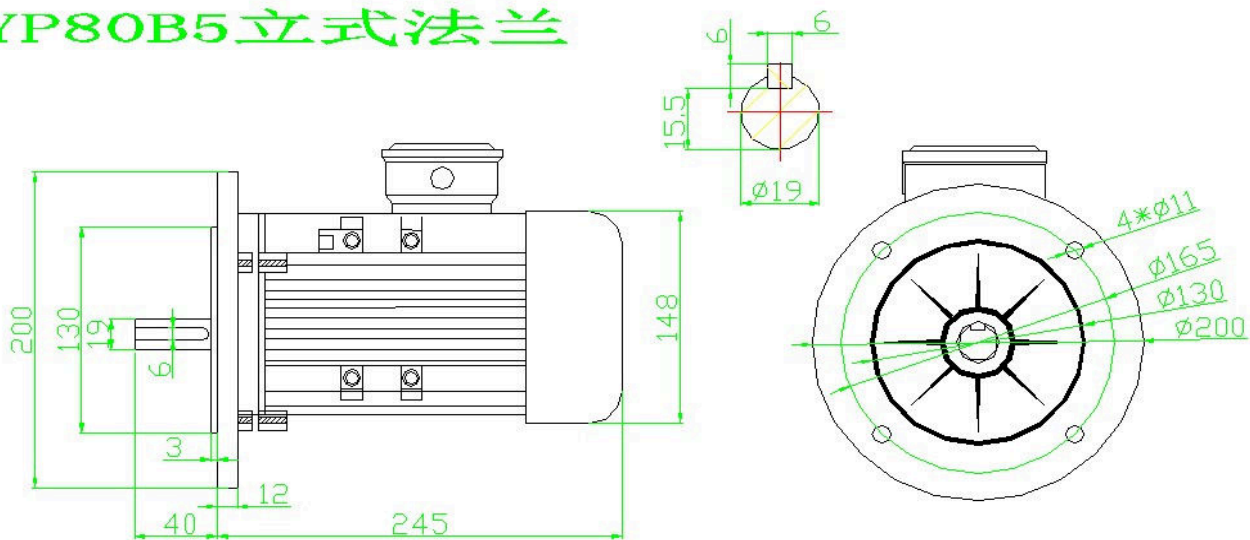
- X1:蓝色, 电机相线U
- X2:绿色, 电机相线V
- X3:黄色, 电机相线W



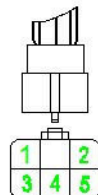
- 1:红色, +5V电源
- 2:黑色, GND地线
- 3:黄色, 霍尔信号A
- 4:绿色, 霍尔信号B
- 5:蓝色, 霍尔信号C

注:电机霍尔信号相位角为120度

YP80B5立式法兰



- X1:蓝色, 电机相线U
- X2:绿色, 电机相线V
- X3:黄色, 电机相线W



- 1:红色, +5V电源
- 2:黑色, GND地线
- 3:黄色, 霍尔信号A
- 4:绿色, 霍尔信号B
- 5:蓝色, 霍尔信号C

注:电机霍尔信号相位角为120度