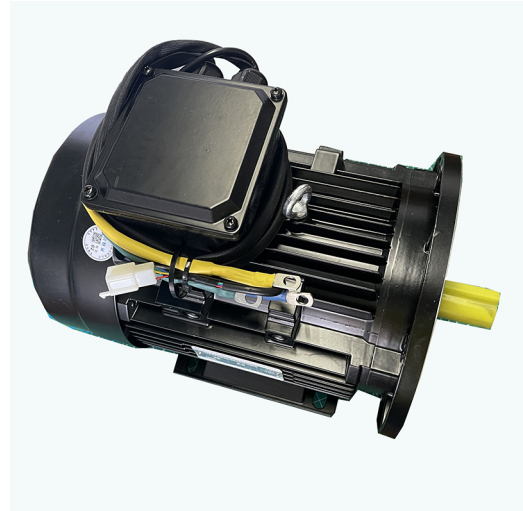


YB112 series Brushless DC motor

4.0-7.5KW

Description

Large starting torque, small starting current
 Better speed versus torque characteristics
 High dynamic response
 High efficiency
 Long operating life, maintenance-free
 Noiseless operation
 Higher speed ranges



Parameter

Type	Voltage (VDC)	Power (KW)	Speed (r/min)	Current (A)	Torque (N. m)	Weight (KG)	Cooling
YB112B3/5-48V4.0-1500	48	4.0	1500	92	25.3		Fan
YB112B3/5-48V5.0-1800	48	5.0	1800	115	26.4		
YB112B3/5-60V4.0-1500	60	4.0	1500	73	25.3		
YB112B3/5-60V5.0-1800	60	5.0	1800	92	26.4		
YB112B3/5-72V5.5-1500	72	5.5	1500	84	34.8		
YB112B3/5-72V6.3-2000	72	6.3	2000	96	30.0		
YB112B3/5-72V7.5-2800	72	7.5	2800	115	25.4		
YB112B3/5-96V7.5-2800	96	7.5	2800	86	25.4		
YB112B3/5-110V4.0-1500	110	4.0	1500	40	25.3		
YB112B3/5-110V5.5-1500	110	5.5	1500	55	34.8		
Overload	Short time power overload 1.5times, Torque overlad 3times						
Ambient	Altitude above sea level maximal 4000m						
Above are our standard type. we accept custom made							

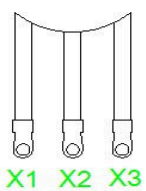
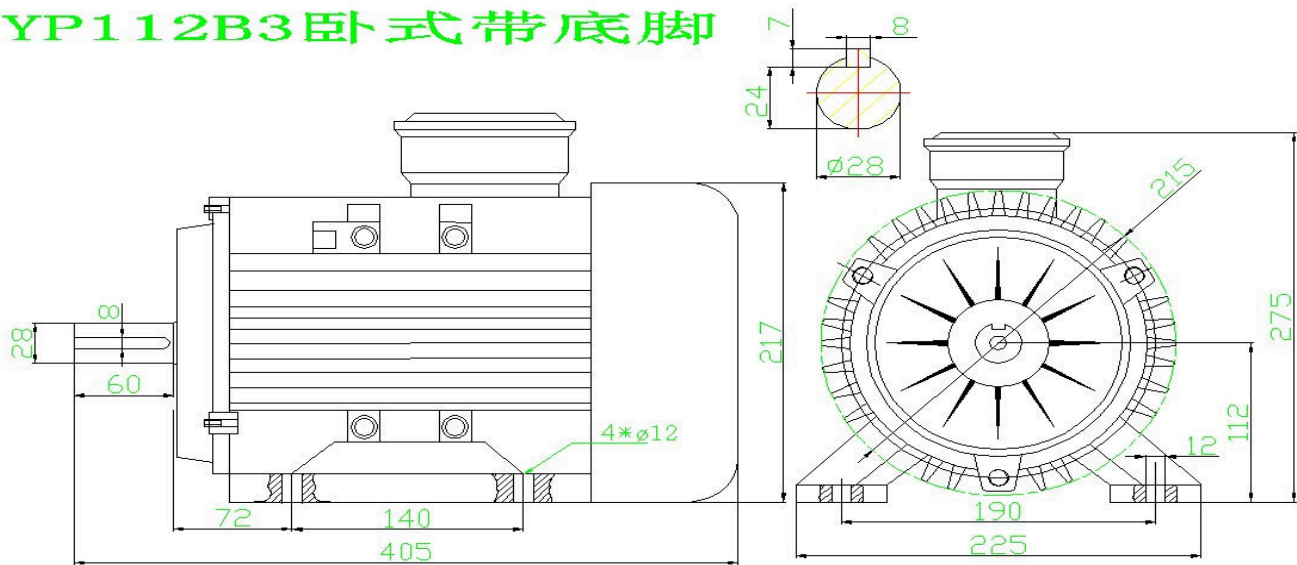
YP 112 B3-48V 4.0-1500

① ② ③ ④ ⑤ ⑥

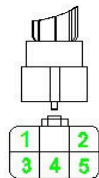
1. Type of BIOTE company brushless dc motor
2. Motor frame. center height. 132 means 132mm
3. Motor install type: B3 Foot Mounted, B5 flange mounted, B35 foot with flange mounted
4. Rated votlage: V 48 means 48vdc
5. Rated power: KW. 4.0 means 4.0kw
6. Rated speed: r/min. 1500 means 1500r/min

Dimension

YP112B3卧式带底脚



- X1:蓝色, 电机相线U
- X2:绿色, 电机相线V
- X3:黄色, 电机相线W

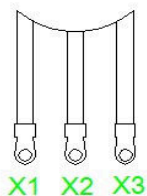
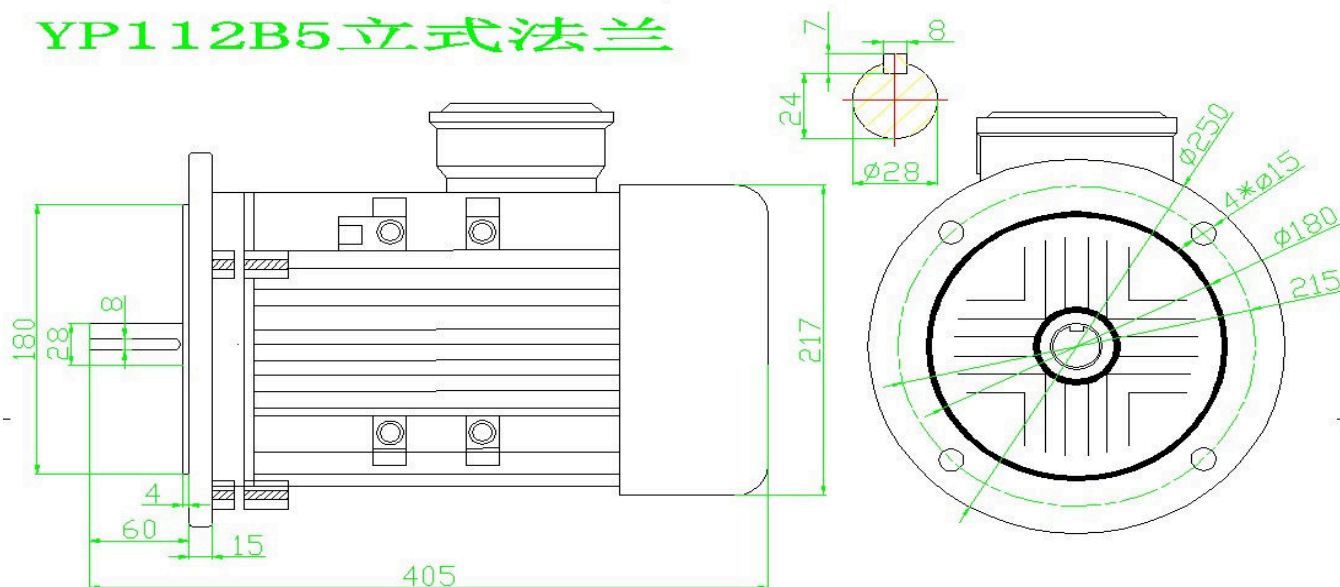


- 1:红色, +5V电源
- 2:黑色, GND地线
- 3:黄色, 霍尔信号A
- 4:绿色, 霍尔信号B
- 5:蓝色, 霍尔信号C

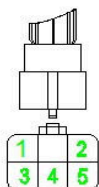
注:电机霍尔信号相位角为120度

YP112-B3			

YP112B5立式法兰



- X1:蓝色, 电机相线U
- X2:绿色, 电机相线V
- X3:黄色, 电机相线W



- 1:红色, +5V电源
- 2:黑色, GND地线
- 3:黄色, 霍尔信号A
- 4:绿色, 霍尔信号B
- 5:蓝色, 霍尔信号C

注:电机霍尔信号相位角为120度

YP112-B5			