

# YB90 series Brushless DC motor

1.5-3.0KW

## Description

Large starting torque, small starting current  
 Better speed versus torque characteristics  
 High dynamic response  
 High efficiency  
 Long operating life, maintenance-free  
 Noiseless operation  
 Higher speed ranges



## Parameter

Type	Voltage (VDC)	Power (KW)	Speed (r/min)	Current (A)	Torque (N. m)	Weight (KG)	Cooling
YB90B3/5-24V1.5-1500	24	1.5	1500	69	9.5		Fan
YB90B3/5-24V1.8-1500	24	1.8	1500	83	12.7		
YB90B3/5-36V1.5-1500	36	1.5	1500	46	9.5		
YB90B3/5-36V2.0-1500	36	2.0	1500	61	12.7		
YB90B3/5-48V1.5-1500	48	1.5	1500	34	9.5		
YB90B3/5-48V2.0-1500	48	2.0	1500	46	12.7		
YB90B3/5-48V2.5-2800	48	2.5	2800	57	8.5		
YB90B3/5-48V3.0-2800	48	3.0	2800	69	10.2		
YB90B3/5-60V1.5-1500	60	1.5	1500	28	9.5		
YB90B3/5-60V2.0-1500	60	2.0	1500	37	12.7		
YB90B3/5-60V3.0-3000	60	3.0	3000	55	9.5		
YB90B3/5-72V2.0-1500	72	2.0	1500	31	12.7		
Overload	Short time power overload 1.5times, Torque overlad 3times						
Ambient	Altitude above sea level maximal 4000m						
Above are our standard type. we accept custom made							

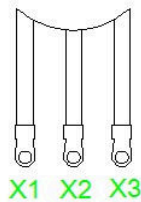
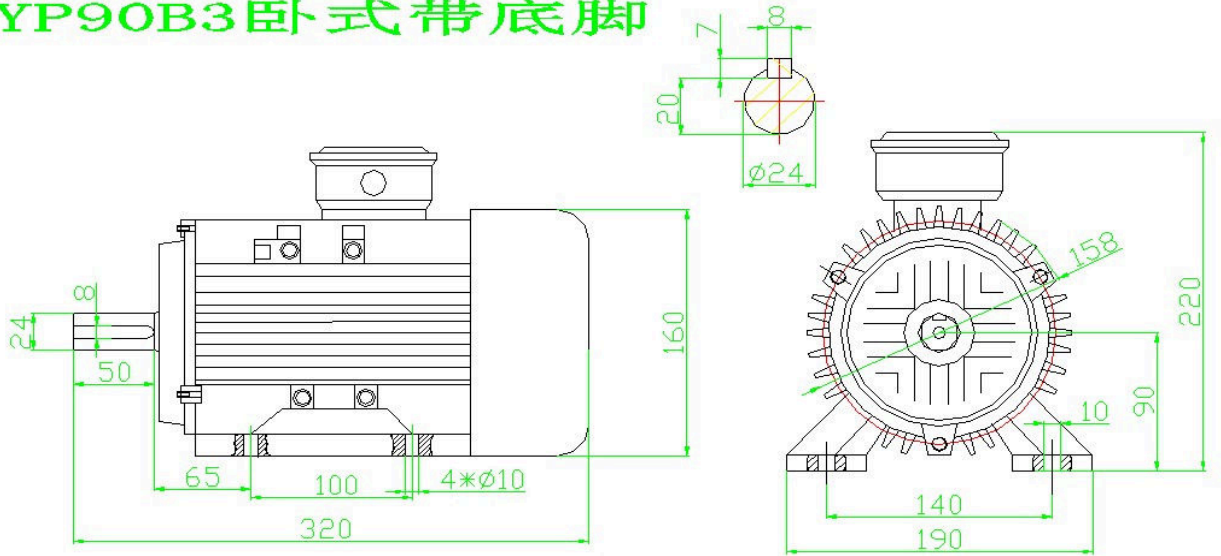
## YP 90 B3-24V 1.5-1500

① ② ③ ④ ⑤ ⑥

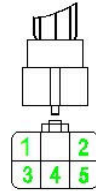
1. Type of BIOTE company brushless dc motor
2. Motor frame. center height. 90 means 90mm
3. Motor install type: B3 Foot Mounted, B5 flange mounted, B35 foot with flange mounted
4. Rated votlage: V 48 means 48vdc
5. Rated power: KW. 1.5 means 1.5kw
6. Rated speed: r/min. 1500 means 1500r/min

外形尺寸及引线定义

YP90B3卧式带底脚



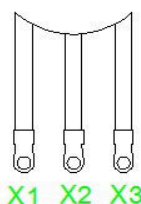
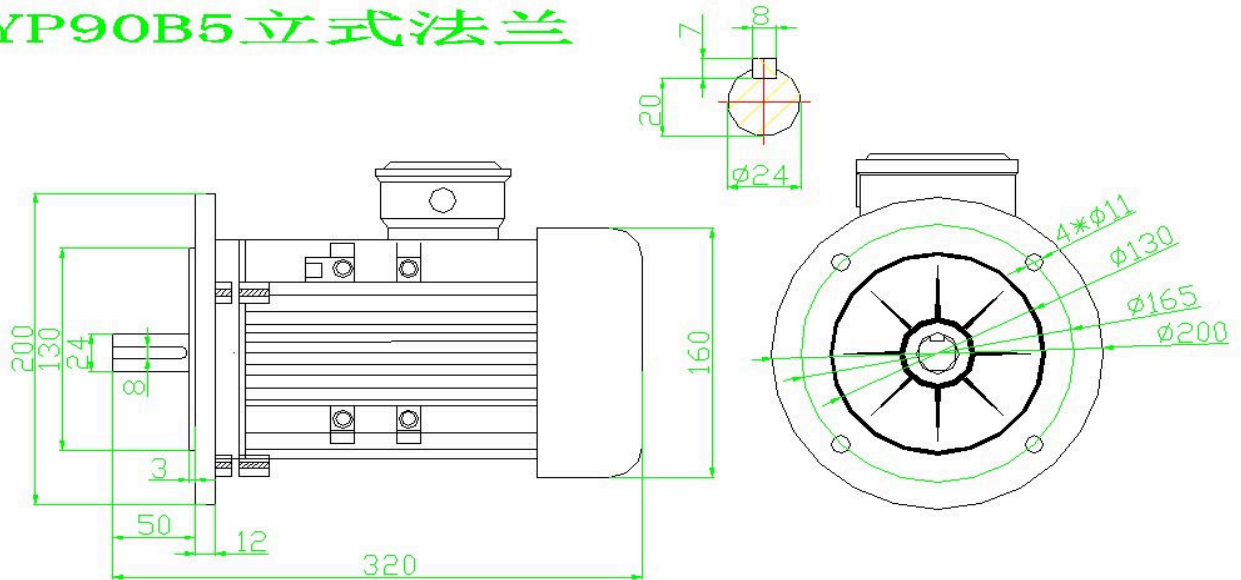
- X1:蓝色, 电机相线U
- X2:绿色, 电机相线V
- X3:黄色, 电机相线W



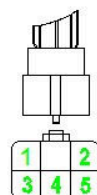
- 1:红色, +5V电源
- 2:黑色, GND地线
- 3:黄色, 霍尔信号A
- 4:绿色, 霍尔信号B
- 5:蓝色, 霍尔信号C

注:电机霍尔信号相位角为120度

YP90B5立式法兰



- X1:蓝色, 电机相线U
- X2:绿色, 电机相线V
- X3:黄色, 电机相线W



- 1:红色, +5V电源
- 2:黑色, GND地线
- 3:黄色, 霍尔信号A
- 4:绿色, 霍尔信号B
- 5:蓝色, 霍尔信号C

注:电机霍尔信号相位角为120度